

Smiling Mudroom

Free Plans to build a Smiling Mudroom

PureBond.
FORMALDEHYDE-FREE TECHNOLOGY

Materials and Tools:

MATERIALS:

- 2 - Full Sheets 3/4" thick PureBond Plywood (available at the Home Depot) cut into strips 15 1/2" long and 8 feet long, referred to as 1x16 boards in this plan.
- 3 - 1x3 @ 8 feet long
- 4 - 1x2 @ 8 feet long
- 1 - strip small crown moulding, 6 feet long
- 1 - edge moulding, 6 feet long
- Hooks
- 1 1/4" finish nails
- 2" finish nails
- 1 1/4" pocket hole screws
- Wood Glue
- Wood Filler
- 120 Grit Sandpaper
- Primer
- Paint

Tools:

- Measuring Tape
- Pencil
- Hearing Protection
- Drill
- Jigsaw
- Sander
- Paint Brush
- Square
- Safety Glasses
- Kreg Jig™
- Circular Saw
- Nailer
- Level

Cut List:

Top Shelf:

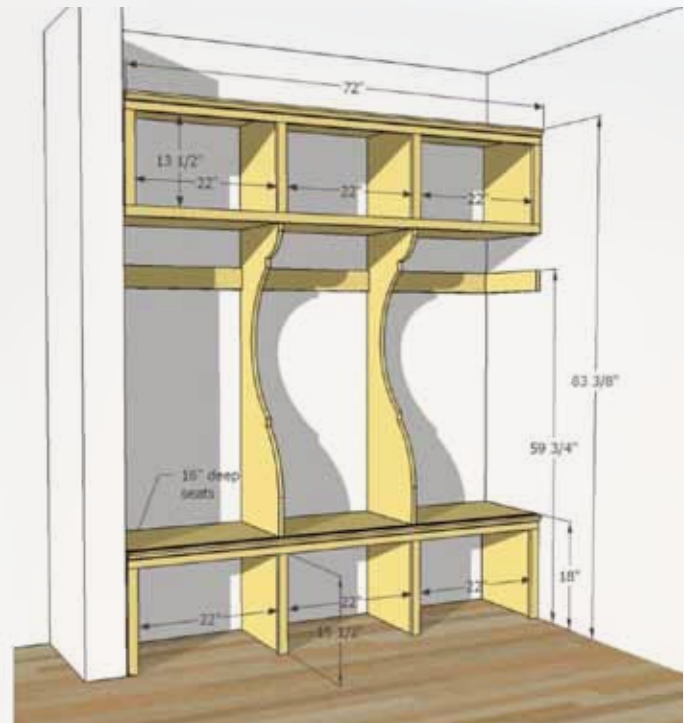
- 2 - 1x16 @ 72"
- 4 - 1x16 @ 16"
- 1 - 1x3 @ 72"
- 1 - 1x2 @ 72"
- 4 - 1x2 @ 13 1/2"
- 1 - Crown Moulding Strip @ 72"
- 2 - 1x3 @ 23 1/8" (Sides - Optional if need to support shelf from back)
- 1 - 1x3 @ 22 3/4" (Center - Optional if need to support shelf from back)

Bench:

- 1 - 1x16 @ 72"
- 4 - 1x16 @ 17 1/4"
- 1 - 1x3 @ 72"
- 4 - 1x2 @ 15 1/2"
- 1 - Edge Moulding Strip @ 72"

Center:

- 2 - 1x16 @ 47 7/8"
- 2 - 1x3 @ 23 7/8" (cut to fit)
- 1 - 1x3 @ 22 3/4" (cut to fit)
- 2 - 1x3 @ 14 3/4" (Optional sides for extra hooks)



Dimensions are shown above. You can build to suit, just keep the bench supported every 2 to 3 feet at the most.



Smiling Mudroom

Free Plans to build a Smiling Mudroom

PureBond.
FORMALDEHYDE-FREE TECHNOLOGY

Cutting Instructions:

Have the Home Depot cut your PureBond plywood into 15 1/2" wide strips, 8 feet long. The strips will be easier to transport and cut. These strips will be referred to as 1x6 boards throughout the plan.

General Instructions:

Make sure you measure your mudroom carefully and are certain you can move the piece in. Mine was so tight of a fit, we had to remove moulding to get it in place.

Please read through the entire plan and all comments before beginning this project. It is also advisable to review the Getting Started Section. Take all necessary precautions to build safely and smartly. Work on a clean level surface, free of imperfections or debris. Always use straight boards. Check for square after each step. Always predrill holes before attaching with screws. Use glue with finish nails for a stronger hold. Wipe excess glue off bare wood for stained projects, as dried glue will not take stain. Be safe, have fun, and ask for help if you need it. Good luck!

Step #1

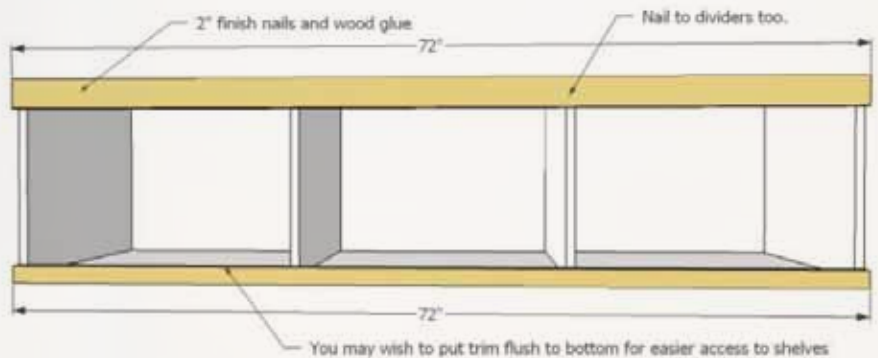
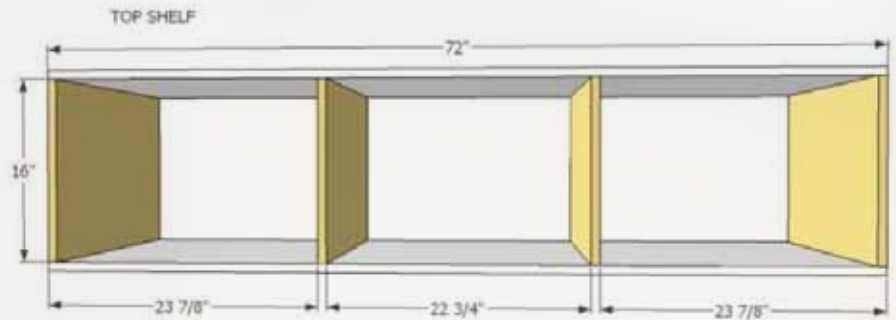


Build the box. This is the basic frame for the upper shelf. It will be fully framed, so nailgun lovers, nail away. I used Kreg Jig pocket holes, but you can also use 2" screws or nails - just adjust for square and use glue.

Step #2



On your shelf, nail the tops and bottom on. One thing I don't like about my shelf is the bottom trim makes pulling baskets straight out impossible - there's a little lip. This could be a good thing for you, I'll let you make the call.





Smiling Mudroom

Free Plans to build a Smiling Mudroom



Step #3



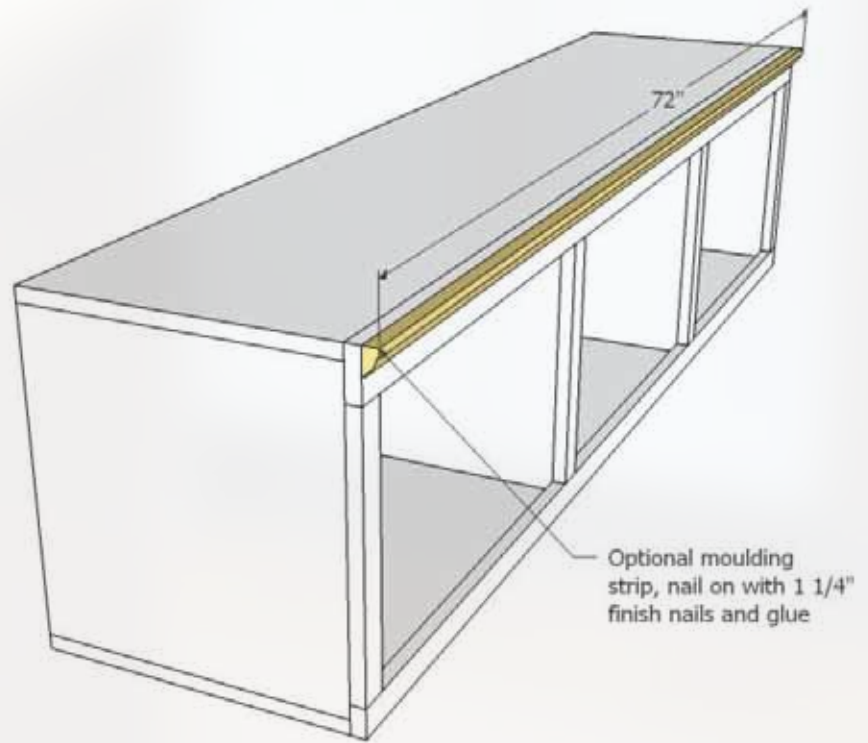
Trim exposed shelf dividers as shown in the example to the right.



Step #4



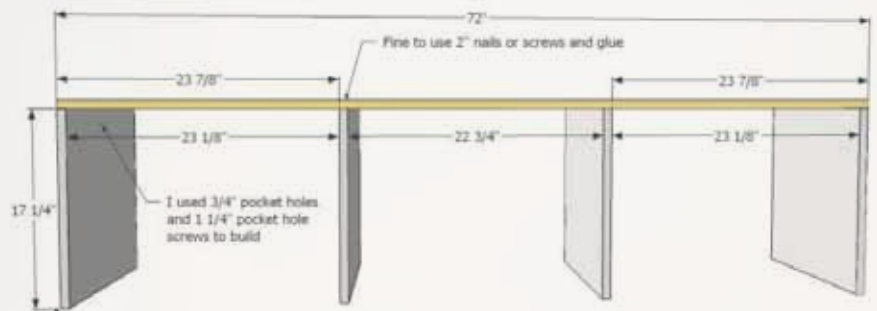
And tack on some moulding for an added touch of fancy.



Step #5



Build the bench box as shown in the diagram. Mark out all joints and fasten as you did the shelf.





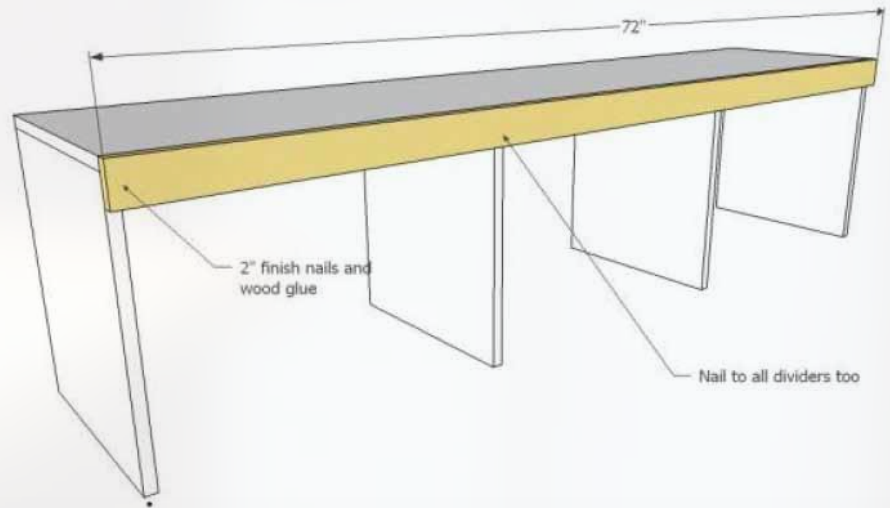
Smiling Mudroom

Free Plans to build a Smiling Mudroom

PureBond.
FORMALDEHYDE-FREE TECHNOLOGY

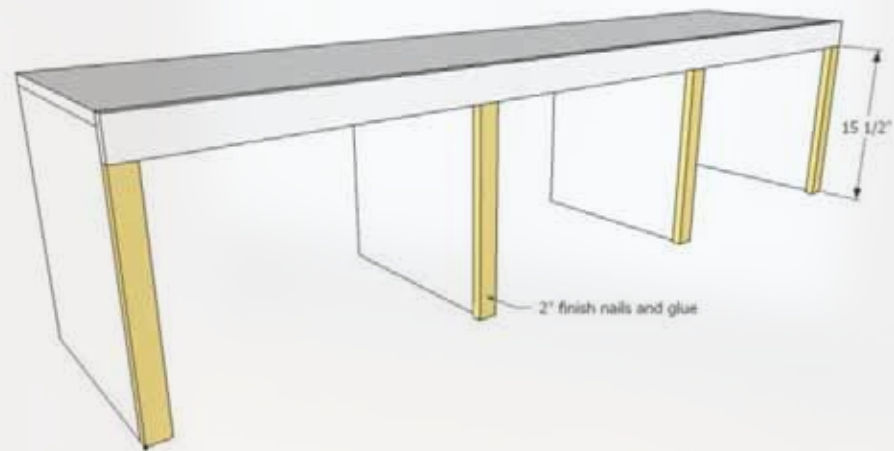
Step #6

Just the top gets trim. Attach to all dividers for added structure and support.



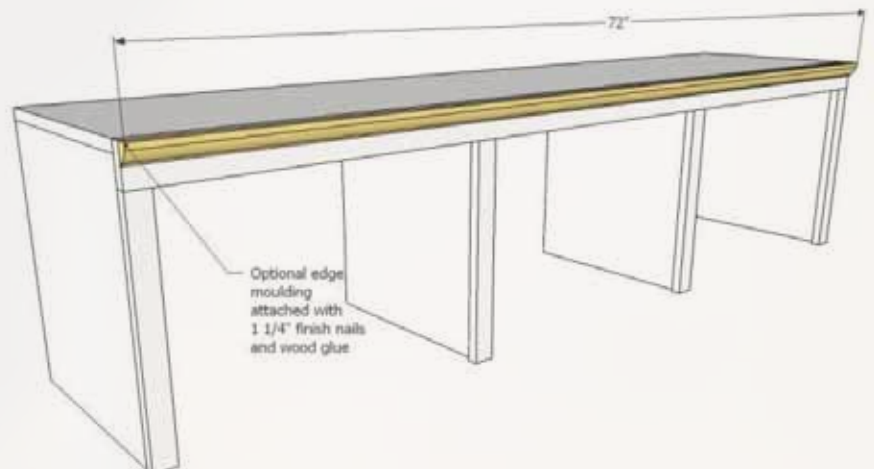
Step #7

Now trim legs too.



Step #8

Followed by a touch of decorative edge moulding.





Smiling Mudroom

Free Plans to build a Smiling Mudroom

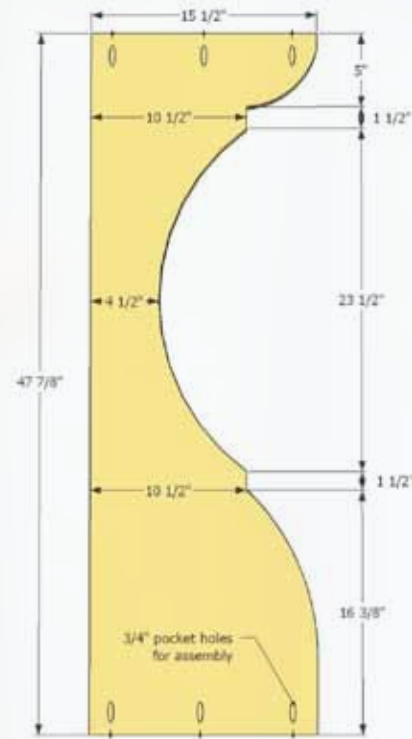
PureBond.
FORMALDEHYDE-FREE TECHNOLOGY

Step #9



Carefully draw out pattern as shown in the diagram. Cut with a jigsaw and sand rough edge. Make sure your two match. We actually clamped the two together and cut to ensure a perfect match.

Drill pocket holes along the top and bottom edge for assembly.

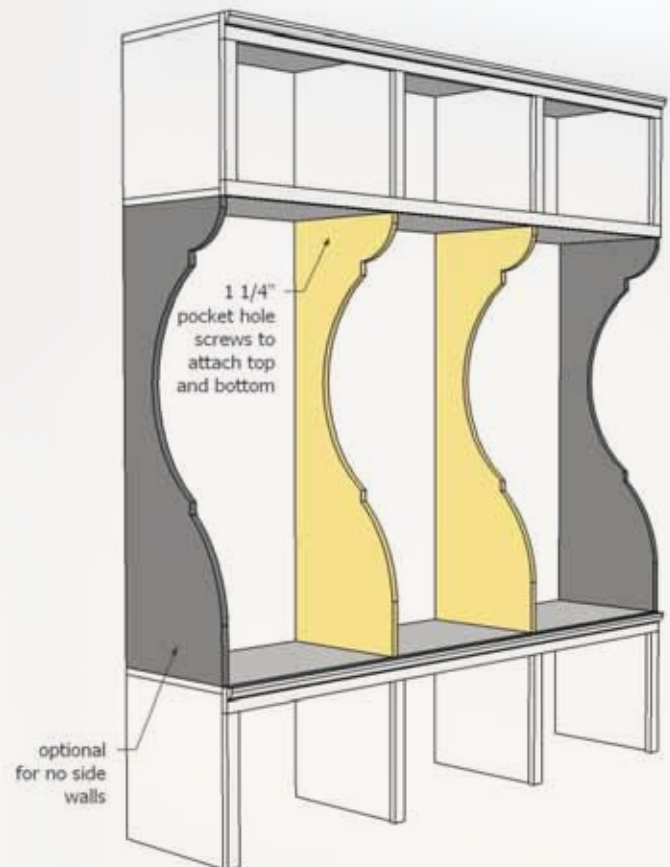


Step #10



Start assembling from the bottom up, installing bench and then dividers and then finally the top. Attach dividers to bench and shelf through pocket holes.

For a freestanding mudroom, you can add end dividers but you **MUST** support that top shelf by hanging it to studs in the wall (see next step).





Smiling Mudroom

Free Plans to build a Smiling Mudroom

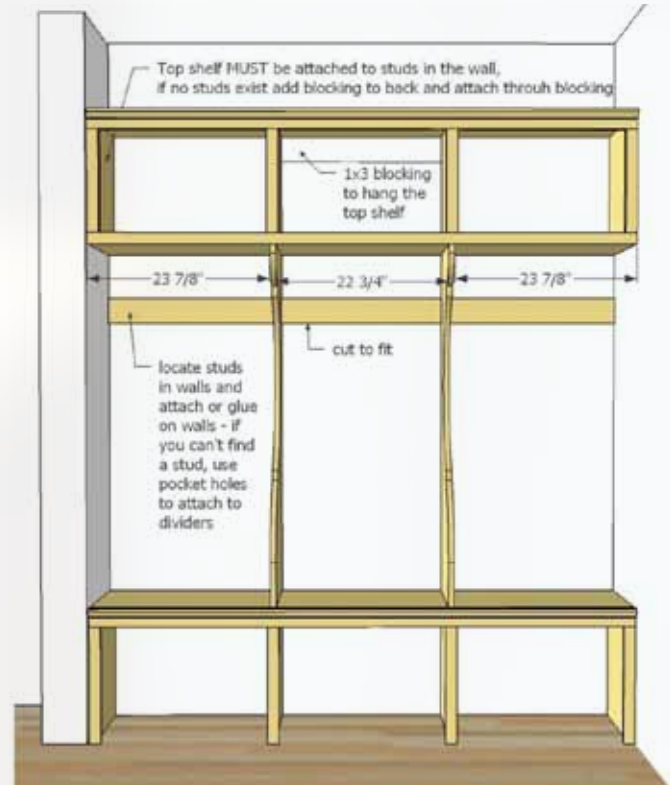
PureBond.
FORMALDEHYDE-FREE TECHNOLOGY

Step #11



Make sure your upper shelf is well supported, screwed to at least two studs in the wall at minimum, on each end. If you used a freestanding design (no side walls) you MUST add blocking as shown in the example and screw through the blocking.

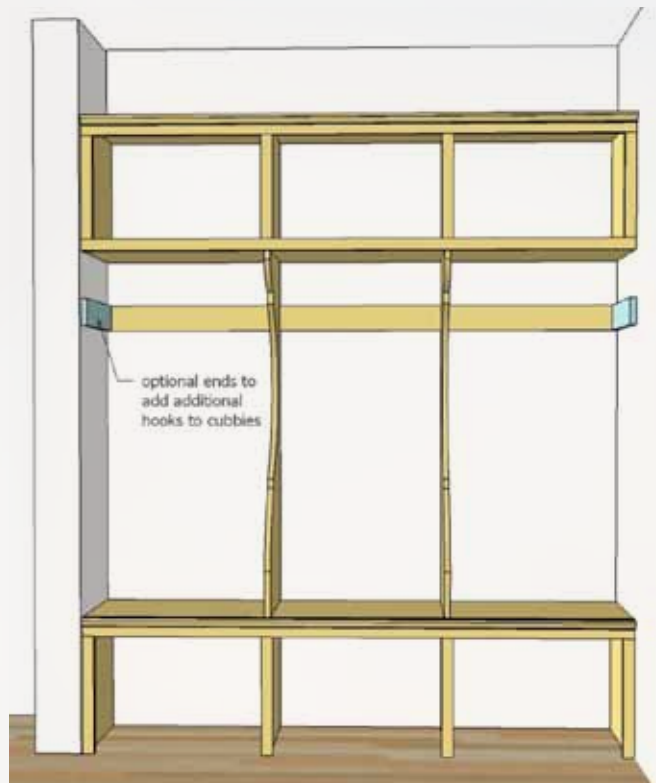
Attach the hook blocking as well. I used pocket holes to attach, and also nails and glue into the wall.



Step #12



And this is just to add a few more hooks. And a little more fancy.





Smiling Mudroom

Free Plans to build a Smiling Mudroom

PureBond.
FORMALDEHYDE-FREE TECHNOLOGY

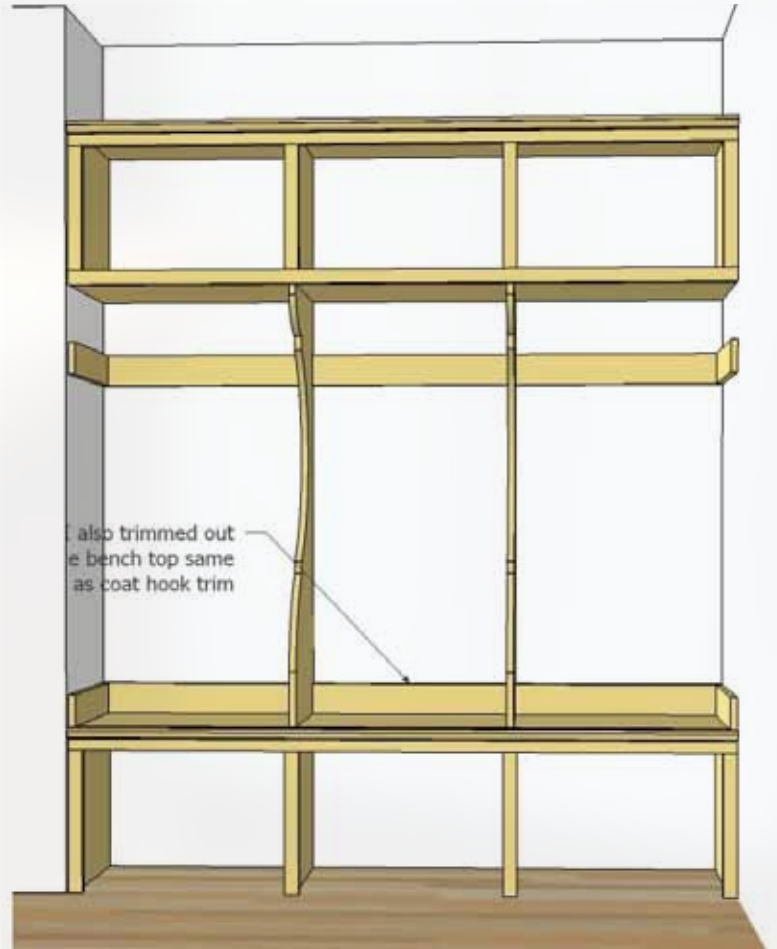
Step #13



And this is not in the cut list, but with just 1 more 1x3, you could trim out the bench top as I did. Just in case your bench doesn't sit flush to the wall, or for a little extra color.

Preparation Instructions:

Fill all holes with wood filler and let dry. Apply additional coats of wood filler as needed. When wood filler is completely dry, sand the project in the direction of the wood grain with 120 grit sandpaper. Vacuum sanded project to remove sanding residue. Remove all sanding residue on work surfaces as well. Wipe project clean with damp cloth. It is always recommended to apply a test coat on a hidden area or scrap piece to ensure color evenness and adhesion. Use primer or wood conditioner as needed.



FEATURING

PureBond.

FORMALDEHYDE-FREE TECHNOLOGY

www.purebondplywood.com